

Effective Date: 01 March 2022
Status: Approved



Class Rules

International iQFOiL Youth & Junior Class Association



The iQFoil was designed in 2019 by Starboard and adopted as a World Sailing Class in 2020

sport / nature / technology



INDEX

INTRODUCTION	3	D.2 Identification	12
PART I – ADMINISTRATION		D.3 Materials, Construction & Dimensions	12
Section A – General		Section E – Hull Appendages	
A.1 Language	4	E.1 General	12
A.2 Abbreviations	5	E.2 Identification	13
A.3 Authorities & Responsibilities ..	5	E.3 Materials, Construction & Dimensions	13
A.4 Administration of the Class	5	Section F – Rig	
A.5 World Sailing Rules	5	F.1 General	13
A.6 Class Rule Changes	5	F.2 Identification	13
A.7 Interpretation of Class Rules ..	5	F.3 Materials, Construction & Dimensions	13
A.8 World Sailing Plaque	5	Section G – Sails	
A.9 Sail Numbers	5	G.1 General	13
Section B – Boat Eligibility		G.2 Identification	14
B.1 Class rules and certification	6	G.3 Materials, Construction & Dimensions	14
B.2 Event Inspection	6	PART III – REQUIREMENTS AND LIMITATIONS	
B.3 Event Limitation Marks	6	Section H – Sail Identification	
PART II – REQUIREMENTS AND LIMITATIONS		H.1 General	15
Section C – Conditions for Racing		H.2 National letters and Sail numbers	16
C.1 General	7	H.2 Class Insignia	15
C.2 Crew	7	H.3 National Flag	15
C.3 Personal Equipment	8	H.4 Competitors Name	16
C.4 Portable Equipment	8		
C.5 Advertising	9		
C.6 Hull	9		
C.7 Hull Appendages	10		
C.8 Rig	11		
C.9 Sails	11		
Section D – Hull			
D.1 General	12		

INTRODUCTION

This introduction only provides an informal background and the International iQFOiL Youth & Junior Class Rules proper begin on the next page.

iQFOiL Youth & Junior hulls, hull appendages, rigs and sails are manufacturing controlled.

All equipment shall only be manufactured by approved manufacturers – in the class rules referred to as licensed manufacturers unless otherwise permitted by these rules.

Equipment is required to comply with the International iQFOiL Youth & Junior Building Specification and is subject to a World Sailing approved manufacturing control system.

iQFOiL Youth & Junior hulls, hull appendages, rigs and sails may, after having left the manufacturer, only be altered to the extent permitted in Section C of the class rules.

Owners and crews should be aware that compliance with rules in Section C is NOT checked as part of the certification process.

Rules regulating the use of equipment during a race are contained in Section C of these class rules, in ERS Part I and in the Racing Rules of Sailing.

PLEASE REMEMBER:

THESE RULES ARE **CLOSED CLASS RULES** WHERE IF IT DOES NOT SPECIFICALLY SAY THAT YOU MAY – THEN YOU SHALL NOT.

PART I – ADMINISTRATION

Section A – General

A.1 LANGUAGE

- A.1.1 The official language of the class is English and in case of dispute over translation the English text shall prevail.
- A.1.2 The word “shall” is mandatory and the word “may” is permissive.
- A.1.3 Except where used in headings, when a term is printed in “**bold**” the definition in the ERS applies and when a term is printed in “*italics*” the definition in the RRS applies.
- A.1.4 The term ‘board’ or ‘windsurfer’ in these rules means **boat**.

A.2 ABBREVIATIONS

- A.2.1 WS World Sailing
- MNA WS Member National Authority
- iQFYJ iQFOiL Youth & Junior Class Association
- NCA National Class Association
- RRS Racing Rules of Sailing
- ERS Equipment Rules of Sailing

A.3 AUTHORITIES AND RESPONSIBILITIES

- A.3.1 The **Class Rules authority** of the class is World Sailing, which shall cooperate with the iQFOiL in all matters concerning these **class rules**.
- A.3.2 Neither WS nor the iQFOiL accept any legal responsibility in respect of these class rules or any claim arising therefrom.

A.4 ADMINISTRATION OF THE CLASS

- A.4.1 WS has delegated its administrative functions of the class to the iQFYJ and its **certification authority** to the iQFOiL Youth & Junior Class Technical Committee.
- A.4.2 The National Association fees (subscription) are determined by a scale published annually by the iQFYJ. Payment of these fees is the sole responsibility of the National Association or Authority. Where no National Authority or Association subscribes, the iQFYJ Executive Committee may accept entries from that country, direct from individuals

A.5 WORLD SAILING RULES

- A.5.1 These **class rules** shall be read in conjunction with the ERS.
- A.5.2 Except where used in headings, when a term is printed in “**bold**” the definition in the ERS applies and when a term is printed in “*italics*” the definition in the RRS applies.

A.6 CLASS RULES CHANGES

- A.6.1 Amendments to these **class rules** are subject to the approval of World Sailing in accordance with World Sailing Regulations.

A.7 INTERPRETATION OF CLASS RULES

- A.7.1 Interpretation of these **class rules** shall be made in accordance with WS Regulations.

A.8 WS PLAQUE

- A.8.1 Licensed manufacturers shall pay the plaque fee to WS.

A. 9 SAIL NUMBERS

- A.9.1 Sail numbers shall be issued by the body listed in A.4 or its delegates.

Section B – Equipment Eligibility

For a Windsurfer to be eligible for *racing*, it shall comply with the rules in this section.

B.1 CLASS RULES AND CERTIFICATION

B.1.1 The Windsurfer shall:

- (a) have been manufactured by Starboard or by other licensed manufacturers approved by WS (except as otherwise stated in these **class rules**).
- (b) carry a unique WS QR sticker applied by the licensed manufacturer where required by the **class rules**. In the event of the loss of a WS QR sticker, the Windsurfer shall produce a **certificate** for that equipment item and have such valid **certificate** for the event. See RRS 78.2. Contact technical@iqfoilyouthjuniorclass.org
- (c) be in compliance with the **class rules** and have not been modified in any way other than permitted by the **class rules**

B.2 EVENT INSPECTION

B.2.1 For the purpose of RRS 78, **crews** are considered to be the owners.

B.2.2 The role of **Equipment Inspectors** at an event is to verify that equipment has been produced by a Licensed Manufacturer, complies with this rules, and has not been subsequently altered (other than as is permitted within these rules) using whatever inspection methods they deem appropriate, including comparison with a reference sample of the type of equipment presented for inspection. Should this comparison reveal deviation greater than the **Equipment Inspector** considers being within manufacturing tolerances, the matter shall be reported to the Race Committee or Event Technical Committee.

Such occurrences shall be reported to WS and the iQFYJ Technical Committee.

B.3 EVENT LIMITATION MARKS

B.3.1 If an event uses **event limitation marks**, these marks shall not be removed during the event. If the **event limitation mark** becomes damaged or lost, this shall be reported to the Event Technical Committee as soon as practical.

PART II – REQUIREMENTS AND LIMITATIONS

The **crew** and his/her equipment shall comply with the Rules in Part II when *racing*. Inspection to check conformity with the rules of Section C is not part of **fundamental measurement**.

The rules in Part II are **closed class rules**. **Equipment inspection** shall be carried out in accordance with the ERS except where varied in this Part.

Section C – Conditions for Racing

C.1 GENERAL

C.1.1 RULES

- (a) RRS 1.2 is changed as permitted by the rule itself to make the use of **personal flotation devices** optional except when required by RRS 40. When their use is made mandatory, **personal flotation devices** shall conform to the minimum standard of ISO 12402-5 (Level 50), or equivalent. The Notice of Race or Sailing Instructions may change this rule to prescribe alternative or additional standards.
- (b) RRS 50.1(b) is changed as permitted by the rule itself to specify a clothing and equipment weight as set in C.3.4 and a trapeze harness weight as set in C.3.3 (i)
- (c) RRS Appendix G is changed as permitted by RRS G.5 to set the Sail Identification requirements as defined in C.10.2

C.2 CREW

C.2.1 LIMITATIONS

- (a) The **crew** shall consist of one person.

C.2.2 MEMBERSHIP

- (b) For all National Championships, World Championships, WS World Cup Series events and Continental Championships the **crew** shall be member of his/her NCA. If there is no NCA then the **crew** must be a member of the iQFOiL.

C.2.3 DIVISIONS

- (a) Gender and Age divisions
 - (i) Under 17 (“U17”) Junior Boys
 - (ii) Under 17 (“U17”) Junior Girls
 - (iii) Under 19 (“U19”) Youth Men
 - (iv) Under 19 (“U19”) Youth Women
- (b) Age divisions
 - (i) crews under the age of 17 at 31st December in the year of competition will be permitted to race in that division.
 - (ii) crews under the age of 19 at 31st December in the year of competition will be permitted to race in that division.

C.3 PERSONAL EQUIPMENT

- C.3.1 **Personal equipment** does not have to be produced by a licensed manufacturer.

C.3.2 MANDATORY

(a) For Use:

- (i) The **crew** shall wear a helmet that shall be to the minimum standard EN1385, EN1077, EN 966, ASTM 2040, Snell S98 or equivalent, with a brightly coloured region of at least 300 square centimeters of the exterior surface that can be seen from above the water with crew lying face down or face up. The Notice of Race or Sailing Instructions may change this rule to prescribe alternative or additional standards.
- (ii) The **crew** shall carry a whistle
- (iii) The **crew** shall wear an impact vest except when the use of a **personal flotation device** is required by RRS 40. The impact vest may act as **personal flotation devices** if in accordance with C.1.1(a).

C.3.3 OPTIONAL

In addition to food and personal effects to keep warm and/or dry, and/or to protect the body, the **crew** may wear the following:

- (i) a harness with a maximum permitted weight of 4kg.
- (ii) a **personal flotation device**.
- (iii) additional body protection gear.
- (iv) a drinking container in compliance with RRS Appendix B 50.1(a).
- (v) an electronic or mechanical timing device.
- (vi) a heart rate monitoring device

C.3.4 TOTAL WEIGHT

The total weight of clothing and worn equipment including the harness but excluding the drinking container, shall not exceed 9kg when weight in accordance with RRS Appendix H.

C.4 PORTABLE EQUIPMENT

C.4.1 **Portable equipment** does not have to be produced by a licensed manufacturer.

C.4.2 OPTIONAL

For the avoidance of doubt, when items listed here are worn or carried by the **crew** they shall be included for weighing under C.3.4.

(a) For Use:

- (i) spare angle spacers, torque keys and spare hull appendage fittings.
- (ii) Timing devices.
- (iii) Recording equipment, tracking devices and associated attachments, when permitted by the Notice of Race or Sailing Instructions. The Notice of Race or Sailing Instructions may make its use mandatory when supplied. These items shall not be permanently fixed to the windsurfer.

(b) Not for Use:

- (i) A towrope of minimum length 5m may be carried by the crew. The Notice of Race or Sailing Instruction may change this rule or make its use mandatory.

C.5 ADVERTISING

C.5.1 LIMITATIONS

Advertising shall only be displayed in accordance with WS Advertising Code. (See WS Regulation 20).

C.6 WINDSURFER

C.6.1 REPAIR

- (a) All **repairs** require written approval unless stated otherwise in these rules.
- (b) Approval may only be granted by the iQFYJ Technical Committee: technical@iqfoilyouthjuniorclass.org.
- (c) Permission to undertake a **repair** during an event may be granted by the Event Technical Committee. The required written approval by the iQFYJ Technical Committee may be granted after the event.
- (d) **Repairs** shall not be used to reinforce an existing part and shall not alter the essential shape, characteristics and function of the original equipment.

C.6.2 LIMITATIONS

- (a) No more than 1 **hull**, 1 **sail**, 1 **mast**, 1 **boom**, 1 fin and 1 foil system with two fuselages (one of each type), may be registered for an event. When lost or accidentally damaged beyond **repair**, a replacement may be used if approved by the Event Technical Committee.
- (b) Despite C.6.2(a), for the U17 divisions, a second, sail and mast in the smaller size, may be registered.
- (c) The use of either a fin or foil system shall be governed by the Notice of Race or Sailing Instruction.
- (d) Replacements to equipment and its parts during an event shall only be made with the approval of the Event Technical Committee unless otherwise permitted in the **class rules**.

C.7 HULL

C.7.1 MODIFICATIONS

- (a) A maximum of eight and a minimum of four foot straps shall be fitted to the existing inserts.
- (b) Foot straps may be removed, replaced or added during an event without approval while in compliance with C.7.1(a). Replacements or additions must be of the original type or the Drake Slick foot straps.
- (c) The **hull** box (where the **hull appendages** are fitted) lateral sides (port and starboard) may be shimmed with removable materials which shall not protrude in height the depth of the box.
- (d) The **hull** box top may be shimmed (between the foil mast and the **hull**) with removable materials, however the minimum distance between the fuselage

and the board, measured along the center line of the mast, shall not exceed 965 mm and the relative angle between the fuselage and the board shall be between 0 to 4 degrees

C.7.2 MAINTAINENCE

- (a) **Cleaning** of the **hull** permitted.

C.7.3 REPAIR

- (a) **Repairs** to the **hull** require approval as described in C.6.1 with the following exceptions:

- (i) filling and blending of chips, gouges and splits smaller than 200mm in length may be carried without approval other than those in the **hull** box which require approval as described in C.6.1.

C.7.4 HULL WEIGHT

- (a) The weight of the **hull** in dry condition with no foot straps shall be a minimum of 11.60kg.
- (b) The weight of the **hull** in wet condition with four foot straps and its fittings shall be a minimum of 12.15kg. For the purpose of checking this rule, the measurement shall be taken after being placed in the water unaided to float for 30 seconds on each side and after left standing vertically on its aft end for a minimum of 10 minutes.

C.7.5 CORRECTOR WEIGHTS

- (a) When the **hull** weight is less than the minimum required, **corrector weights** of lead shall be fastened to a location to be determined by the Event Technical Committee.
- (b) The total weight of **corrector weight** shall not exceed 200g.
- (c) **Corrector weights** installed by licensed manufacturers shall not be removed.

C.8 HULL APPENDAGES

C.8.1 MODIFICATIONS

- (a) The forward and aft side of the fin top and foil mast top, along the depth that fits into the **hull** box may be **sanded**.
- (b) The foil system fittings (bolts and washers) may be replaced by any fittings of the same size with the following exception:
 - i) The angle spacers screws may be replaced by other screws of different length.
- (c) When using a foil system, the **crew** may replace the fuselage for the remaining registered fuselage. The Notice of Race or Sailing instructions may change this rule to define how the changes shall be managed.
- (d) When using a foil system, the **crew** may replace the angle spacers for any of the original angle spacers listed in E.1.1(d)(v).

- (e) The plastic cap covering the foil mast that goes in the fuselage may be trimmed flush with the fuselage and **sanded** in its bottom side for the purpose of aligning lateral foil mast and fuselage holes.

C.8.2 MAINTENANCE

- (a) **Maintenance of appendages** is permitted with the following exceptions:
 - (i) **Coating** is not permitted as part of **maintenance**.
 - (ii) **Sanding** as part of **maintenance** is only permitted on the paint layers and shall not reach the internal carbon fibres.

C.8.3 REPAIR

- (a) **Repairs** to the **appendages** require approval as described in C.6.1, except filling and blending of small voids (chips and gouges) smaller than 10mm x 10mm which may be carried out without approval.

C.9 RIG

C.9.1 MODIFICATIONS

- (a) Ropes may be replaced by any type of ropes.
- (b) Any adjustable downhaul system having not more than an 8:1 mechanical advantage may be attached to the tail of the licensed manufacturer's downhaul unit.
- (c) A second removable outhaul hook from the licensed manufacturer type may be added to the clew.
- (d) Any adjustable outhaul system may be used. The system may use any number of blocks, ropes or pulley systems.
- (e) Any uphaul may be fitted.
- (f) Any harness lines may be used.
- (g) Tape may be used in the boom to mark locations.
- (h) The mast spigot may be shimmed with tape.
- (f) The mast extension may be shimmed with tape.
- (i) Rivets may be replaced without approval with screws or bolts with optional nuts but shall be fitted into the original inserts that shall not be modified.
- (j) A 'deviator' (board nose protector) may be added to the mast base for all divisions.

C.9.2 MAINTENANCE

- (a) **Cleaning and lubricating** of spars are permitted.

C.9.3 REPAIR

- (a) **Repairs** to the mast and boom carbon components require approval as described in C.6.1. **Repairs** of other rig components may be carried without approval.

C.10 SAILS

C.10.1 MODIFICATIONS, MAINTENANCE AND REPAIR

- (a) **Repair of sails** shall not affect the shape, characteristics, function and look of the original and may be carried out without approval with the following exception:
 - (i) During an event, **repairs of sails** require the approval of the Event Technical Committee.
- (b) Transparent tape may be placed on the **sail** adjacent to the **boom**.
- (c) Camber inducers may be **lubricated**.
- (d) **Cleaning** is permitted.
- (e) Battens and camber inducer spacers may be replaced. Such replacements shall be made on a 'like for like' basis using fittings supplied by the licensed manufacturer.
- (f) Batten tubes may be shortened at the outer end.

C.10.2 SAIL IDENTIFICATION

- (a) At World Championships, when this rule is invoked by the Notice of Race or Sailing Instruction, the **sail** shall carry a number issued annually by the Class ("Identification disc").
- (b) The **sail** shall carry the National Letters and Sail Numbers as specified in Section H of the **class rules**. When rule C.10.2(a) is invoked, the Notice of Race or Sailing Instruction may change this rule to not apply or to make the use of National Letters and Sail Numbers optional.
- (c) For National Championships and World Championships, when this rule is invoked by the Notice of Race or Sailing Instruction, the sails shall display the competitor national flag and class insignia. The display shall comply with the details included in Section H of the **class rules**.
- (d) The display of the competitor name and class division is permitted and required when invoked by the Notice of Race or Sailing instruction and shall comply with the details included in Section H of the **class rules**.

Section D – Hull

D.1 GENERAL

All parts of the **Hull** and its associated fittings are to be produced by licensed manufacturers unless specified otherwise in C.7.1.

D.1.1 PARTS

- (a) iQFOiL 85 Starlite Carbon hull for the all divisions.
- (b) Its associated fittings:
 - a. mast track
 - b. fin/foil box
 - c. foot straps
 - d. foot strap fittings

D.2 IDENTIFICATION

- (a) The **hull** shall carry a manufacturers serial number and have a unique WS QR sticker applied by the licensed manufacturer.
- (b) Hulls shall display the official WS logo as applied by the manufacturer.

D.3 MATERIALS, CONSTRUCTION AND DIMENSIONS

- (a) The hull shall comply with the iQFYJ technical specifications as approved by WS.

Section E – Hull Appendages

E.1 GENERAL

All parts of the **hull appendages** and its associated fittings are to be produced by licensed manufacturers unless specified otherwise in C.8.1.

E.1.1 PARTS

- (a) 56 cm fin for all divisions
- (b) aluminium foil for U17 Junior and carbon foil for U19 Youth divisions, each including:
 - i. foil mast 95cm aluminium for U17 Junior and carbon for U19 Youth
 - ii. front wing 800 for U17 Junior and 900 for U19 Youth divisions
 - iii. tail wing 255 (-2 degrees)
 - iv. one of the two fuselages (95 plus or 115 plus)
 - v. one of the six angle spacers (-2, -1.5, -1, -0.5, 0, +0.5, +1).
 - vi. associated fittings.

E.2 IDENTIFICATION

- (a) The fin, foil mast, front wing, tail wing and fuselage shall carry a unique WS QR sticker issued by the manufacturer.

E.3 MATERIALS, CONSTRUCTION AND DIMENSIONS

- (a) **Hull Appendages** shall comply with the iQFYJ technical specifications as approved by WS.

Section F – Rig

F.1 GENERAL

All parts of the **Rig** and its associated fittings are to be produced by licensed manufacturers unless specified otherwise in C.9.1.

F.1.1 PARTS

- (a) 460 and 430 **Mast** for the U17 Junior boys and girls divisions
- (b) 490 **Mast** for the U19 Youth Men and Women divisions
- (c) 170 - 220 Aluminium Race **Boom** for U17 division

- (d) 186 – 236 Aluminium Race **Boom** for U19 division
- (e) “Triple xtension” extension for U17 division
- (f) 36cm extension for U19 division
- (g) **Mast** base and associated fittings

F.2 IDENTIFICATION

(a) The **mast** and the **boom** shall carry a unique WS QR sticker issued by the manufacturer.

F.3 MATERIALS, CONSTRUCTION AND DIMENSIONS

Mast and **Boom** shall comply with the iQFYJ technical specifications as approved by WS.

Section G – Sail

G.1 GENERAL

All parts of the **Sail** and its associated fittings are to be produced by licensed manufacturers unless specified otherwise in C.10.1.

G.1.1 PARTS

- (a) 5.0 m², 6.0 m² and 7.0 m² **sail** for the U17 divisions.
- (b) 8.0 m² **sail** for the U19 divisions.
- (c) Battens and tensioners
- (d) Camber Inducers
- (e) Spacers

G.2 IDENTIFICATION

- (a) **Sails** shall carry a unique WS QR sticker in the **tack** applied by the manufacturer.
- (b) The battens shall have an identification sticker applied by the licensed manufacturer.

G.3 MATERIALS, CONSTRUCTION and DIMENSIONS

The **sail** and battens shall comply with the iQFYJ technical specifications as approved by World Sailing.

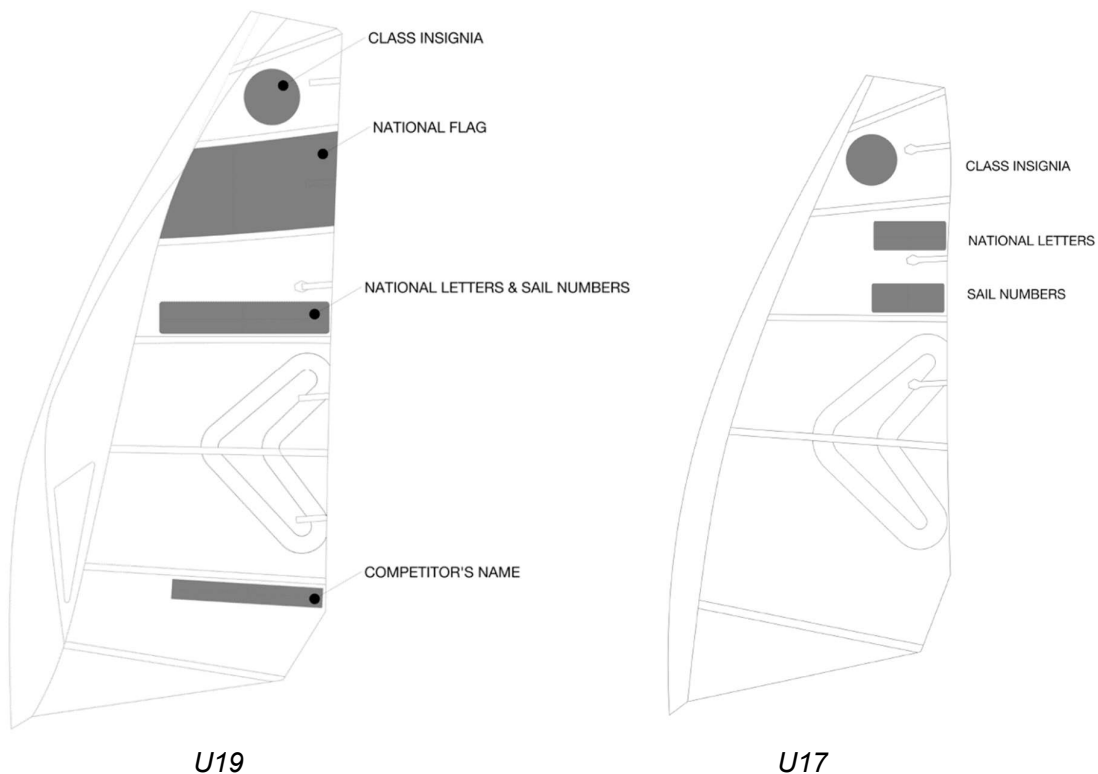
PART III – APENDICES

The rules in Part III are **closed class rules**. Measurements shall be carried out in accordance with the ERS except where varied in this Part.

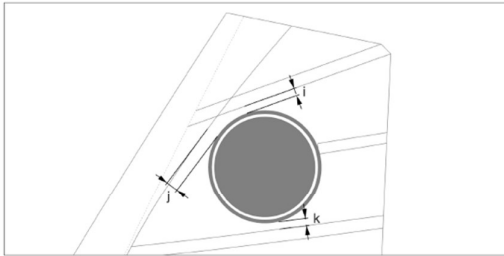
SECTION H: SAIL IDENTIFICATION

H.1 GENERAL

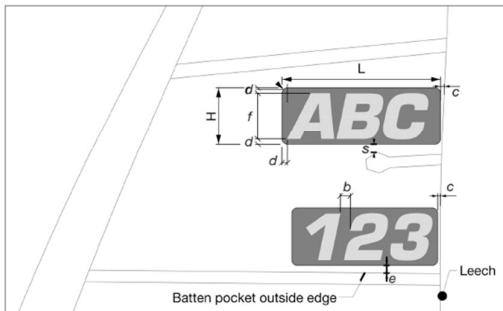
Stickers shall be placed back to back on both sides of the sail. Characters shall be of font type 'Eurostile Heavy Italic' in white over a black background.



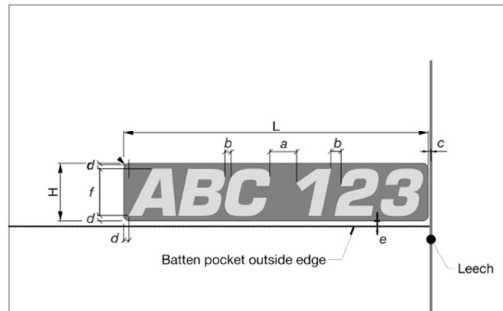
CLASS INSIGNIA



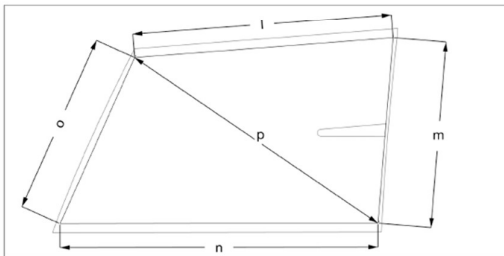
U17 NATIONAL LETTERS & SAIL NUMBERS



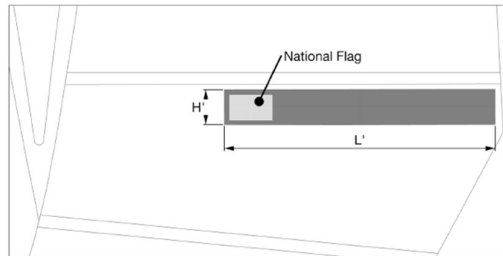
U19 NATIONAL LETTERS & SAIL NUMBERS



U19 NATIONAL FLAG



U19 COMPETITOR'S NAME



H.2 NATIONAL LETTERS AND SAIL NUMBER

- (a) National letters and sail numbers stickers do not require to be produced by licensed manufacturers.
- (b) Shall comply with the following specifications (see previous image)

	<u>definition</u>	<u>measurements</u>
f	font size height	190mm (+-5mm)
d	distance from characters to edge of sticker	20mm (+-2mm)
H	sticker height. Result of font height and distances to edge above and below	n/a
b	distance between characters varies. Default font distance between characters	n/a
L	sticker length. Varies with different combinations of National letters or sail numbers	n/a
r	maximum radius at corners	20mm
c	maximum distance from sticker aft edge to leech tabling	5mm
e	maximum distance from sail number sticker bottom edge to outside batten pocket	10mm
s	U17 only: maximum distance from National letters sticker bottom edge to outside of batten pocket patch	10mm

H.3 CLASS INSIGNIA

- (a) The class insignia shall be produced by a licensed manufacturer.
- (b) Each division shall carry the insignia as follows:
 - i. U17 Girls: Pink background

- ii. U17 Boys: Light Blue background
 - iii. U19 Women divisions: White background
 - iv. U 19 Men division: Navy Blue background
- (c) Shall comply with the following maximum distances (+- 2mm, see previous image):
- For U19: i = 15mm, j = 15mm, k = 15mm
 - For U17: i = 70mm, j = 70mm, k = 70mm

H.4 NATIONAL FLAG

Applicable for the Under 19 division only:

- (a) National flags do not require to be produced by licensed manufacturers.
- (b) When invoked by NOR/Sl, stickers shall be placed back to back on both sides and cover the full patch area and complying with the following specifications: (see previous image)
 - a. The sticker shall cover the area between battens two and three. Any gap to surrounding seams and tabling shall not be more than 20mm.
 - b. The Flag design shall comply with the competitors National Olympic Committee flag. An alternative design may be used with approval of the competitors MNA.

H.5 COMPETITORS NAME

Applicable for the Under 19 division only:

- (a) The Competitors Name stickers do not require to be produced by licensed manufacturers.
- (b) When invoked by NOR/Sl, shall comply with the following specifications (see previous image):
 - i. Shall read either the first and last name or first name initial and last name.
 - ii. Length (L') varies with different name combinations and a Height (H') of 130mm (+- 5mm) resulting from a font height size of 100mm and 15mm above and below to the sticker edge.
 - iii. If a national flag is included, it shall be displayed within the sticker boundaries in front of the name.

Effective Date: 01 March 2022

Previous issue: 22 March 2021